

Mechanical Data

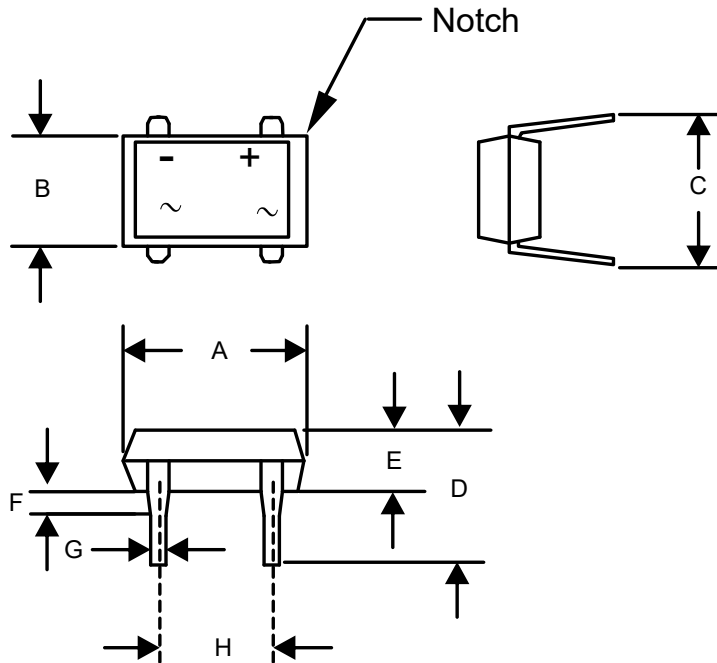
- Weight: 0.3800 grams (Approximate)
- Halogen Free. "Green" Device (Note 1)
- Epoxy Meets UL 94 V-0 Flammability Rating
- Lead Free Finish/RoHS Compliant (Note2) ("P" Suffix Designates RoHS Compliant. See Ordering Information)

Package 3D Photo



Note: 1. free "Green" products are defined as those which contain <900ppm bromine, <900ppm chlorine (<1500ppm total Br + Cl) and <1000ppm antimony compounds.
2. High Temperature Solder Exemption Applied, see EU Directive Annex 7a.

Package Outline Dimensions



DIMENSIONS					
DIM	INCHES		MM		NOTE
	MIN	MAX	MIN	MAX	
A	0.316	0.335	8.05	8.51	
B	0.245	0.255	6.20	6.50	
C	0.300	0.350	7.60	8.90	
D	0.236	0.299	6.01	7.60	
E	0.102	0.130	2.60	3.30	
F	0.060		1.50		TYP.
G	0.016	0.022	0.41	0.56	TYP.
H	0.195	0.205	5.00	5.20	

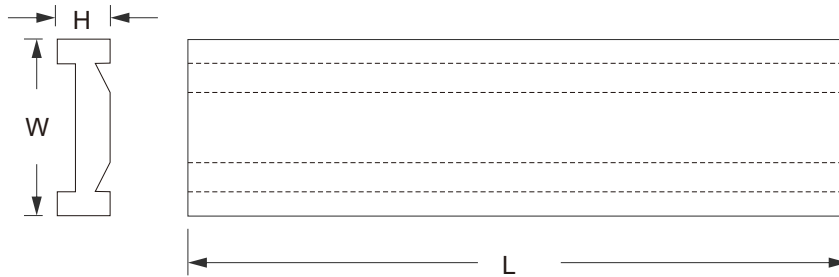
Packing Quantity

Package	Package Type	Tube Quantity	Box Quantity	Carton Quantity
DB-1	Tube	50	2500	10000

Note 1: These are minimum package quantities only. Minimum orders will differ. Contact the factory for more information on minimum order quantities.

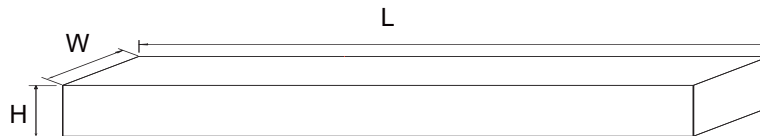
Dimensions

Tube Size



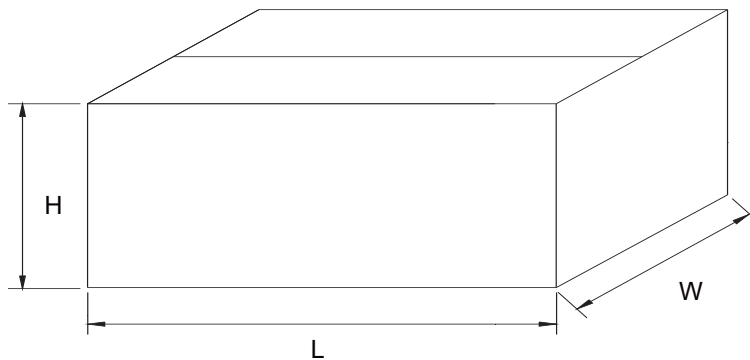
Description	Dimension	Specification(mm typical)
Length	L	445
Width	W	12.3
Height	H	10

Inbox Size



Description	Dimension	Specification(mm typical)
Length	L	462
Width	W	130
Height	H	62

Carton Size



Description	Dimension	Specification(mm typical)
Length	L	475
Width	W	280
Height	H	155